

NITRO

Slot Cabinet



Sophisticated Features

Amped-Up Style

Player-Focused Comfort

NITRO

slot cabinet series

Solid crown or LED lit art top box.



Go Green
with energy efficient, long-lasting LED edge lighting.

22" widescreen LCD or Stepper Configurations.

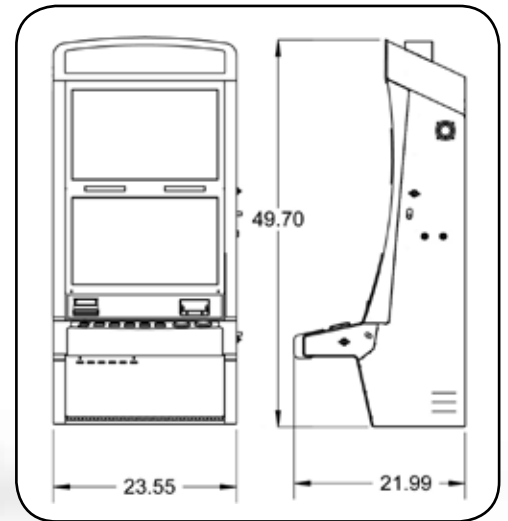
Customizable button deck and player tracking panel.



Wide variety of cabinet and door finishes available to accommodate your unique requirements.

Universal mounting technology easily integrates your internal components and electronics.

Elite Casino Products' new NITRO slot cabinet series features dual 22" widescreen LCDs with optimal viewing angles and excellent graphic quality. Submerge players in the ultimate gaming experience with NITRO's energizing sound system and vibrant edge-lighting that can be programmed to coordinate with game themes. Customize cabinet features to your own specifications and get your players' pulses racing with the new NITRO Series.



Research & Design

ECP performs detailed **focus group studies** on all new product releases to ensure that cabinet styling is among the highest rated.

Additionally, ECP takes an indepth look into the **ergonomic design of our products** by studying the measurement of size and proportion variations of the human body.

With the knowledge and information gained directly from the slot players, combined with our expertise in design engineering, ECP develops the products that please players and game manufactures alike! Ask your ECP representative for more information about our indepth product studies.

