



Elite Casino Products Products & Services Guide



NITRO SERIES

NITRO

Slot Cabinet



CABINETS

NITRO SERIES

Sophisticated Features

Player-Focused Comfort

Amped-Up Style

NITRO Slot Cabinet

Elite Casino Products' new NITRO slot cabinet series features dual 22" widescreen LCDs with optimal viewing angles and excellent graphic quality; a slim 12" cabinet depth that maximizes floorspace; and a premium sound system. Submerge players in the ultimate gaming experience with NITRO's energizing sound system and vibrant edge-lighting that can be programmed to coordinate with game themes. Customize cabinet features to your own specifications and get your players' pulses racing with the new NITRO Series.



Variety of cabinet and door finishes accommodate your unique requirements.

Solid crown or LED lit art top box.

Premium sound system launches players into the game atmosphere.

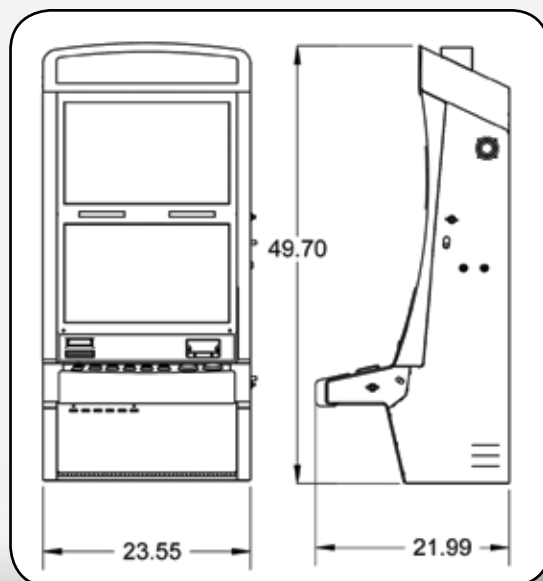


Go Green
with energy efficient, long-lasting LED edge lighting.

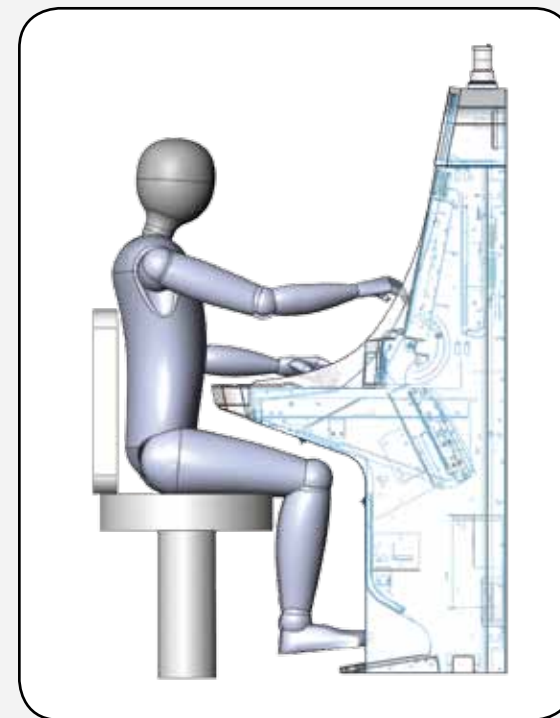
Universal mounting technology easily integrates your internal components and electronics.

Customizable button deck and player tracking panel.

Slim 12-inch cabinet depth.



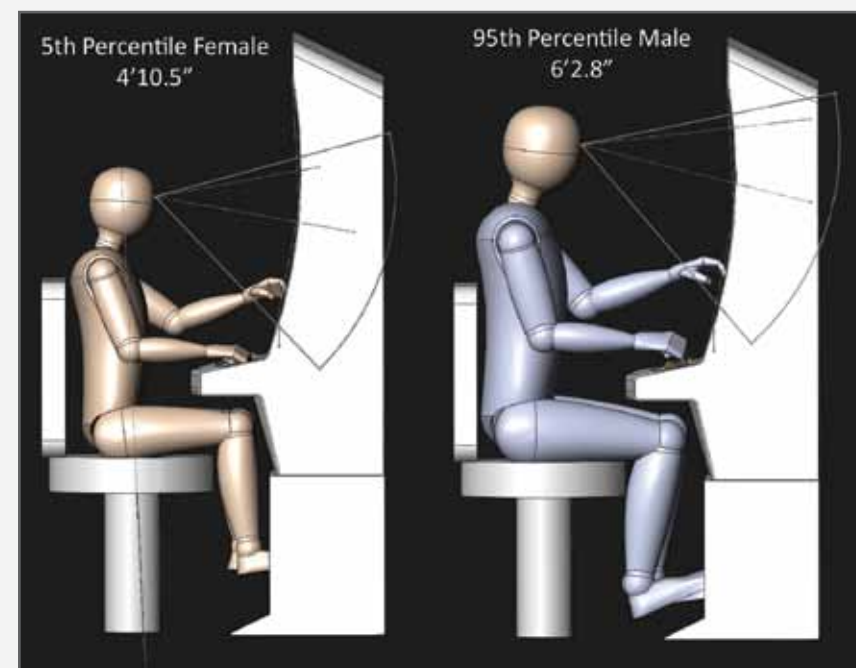
Research & Design for new product development



When you partner with ECP, you gain your own R & D team that takes an extensive look at product design in terms of ergonomic impact and styling appeal among the end users--the slot players, themselves. We inquire with avid slot players to learn their likes, dislikes, and preferences. ECP performs focused studies and one-on-one interviews with players pertaining to new product development to ensure that cabinet styling is pleasing and receives high ratings among research participants. We look at reach distances, armrest comfort, contour lines, quality, product durability, overall aesthetics and much more.

Additionally, ECP takes an in-depth look into the ergonomic design of our products by studying the proportion variations of people of all different sizes. We use statistical data about reach distances, eye levels, and seated leg positioning to optimize our products for the general population - accommodating people of varying body types and sizes with comfortable, ergonomic designs to **maximize time-on-device**.

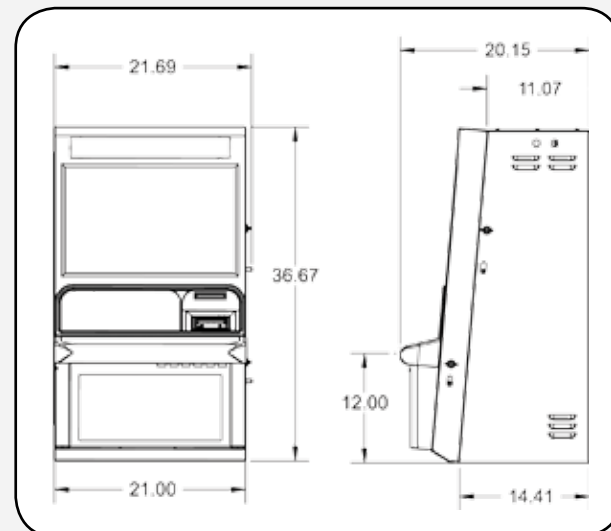
With the knowledge and information gained directly from the slot players, combined with our expertise in design engineering, ECP develops the products that please players and game manufactures alike!



AXIS SERIES



The Axis slot cabinet series has everything a slot floor needs--innovative style, performance and durability. Crisp, gleaming chrome lines and bold angles accentuate the cabinet's profile. The player interface area is easily accessible and conveniently located below the LCD. Engineered with appealing aesthetics, comfort and functional serviceability in mind, the Axis cabinet will please slot players, floor managers, and technicians alike!



SPECIFICATIONS

Available Cabinet Styles:

- 19-inch LCD
- 22-inch widescreen LCD with up to 1680 x 1050
- Stepper Configurations (3, 4, or 5 reel)

Finishing Choices:

- Cabinet:
- Powder painted or laminated to match any color
- Door:
- Chrome(Standard)
 - Brushed
 - PVD Gold
 - PVD Black Titanium
 - Powder paint, custom color match

Customizable Features:

- Button Panel
- Player Tracking Panel
- Customer-Preferred LCD
- Top Boxes
- Speakerbar

Lighting:

- CCFL lighting
- Optional LED

Universal Mounting:

Easily integrate your electronic system with ECP's universal mounting system.

Top box Styles:

- Artwork top
- 22" Dual Screen, flat or round
- Custom options available

Additional Top Box Options:

Round top box with 22" LCD dual screen plus lit CCFL artwork arch.

Round backlit top box with CCFL lighting for game artwork.



Special Features:

- *Simple, yet sophisticated* - clean, bold lines offer contemporary style.
- ECP's patent-pending LCD mounting system, which allows technicians to rotate and view the screen for easy internal diagnostics.
- Universal component mounting system easily integrates custom electronic packages and peripherals.
- Perfect Server-Based Gaming Solution - The dual 22-inch widescreens (16:9) are capable of producing vivid graphics for thrilling animations and exhilarating bonus rounds for multi-game situations.
- Quickly and easily converts from a Widescreen to a Reel cabinet, even while on the slot floor.

INTRODUCING THE VELOCITii SLOT CABINET

NEW!

VELOCITY SERIES 1



Leading the way into the next generation of gaming cabinets is ECP's VELOCITii cabinet, the console-style platform that gives players the ultimate experience in comfort and style. Perfect for touch-intensive games, the VELOCITii LCD is drawn close to the player, easing reach and enhancing game interaction.

The Velocity and VELOCITii slot cabinets' contemporary design combines the traditional appeal of an upright cabinet with the comfort of a slant top. Featuring a sizeable 26-inch widescreen LCD (optional 22" LCD), the Velocity cabinets appeal to players with their crisp, clear graphic capabilities. Engineered to give players an abundant amount of personal playing space, generous leg room and a conveniently located player interface dashboard, the cabinets' comfortable layout encourages players to enjoy lengthy play times.

VELOCITY

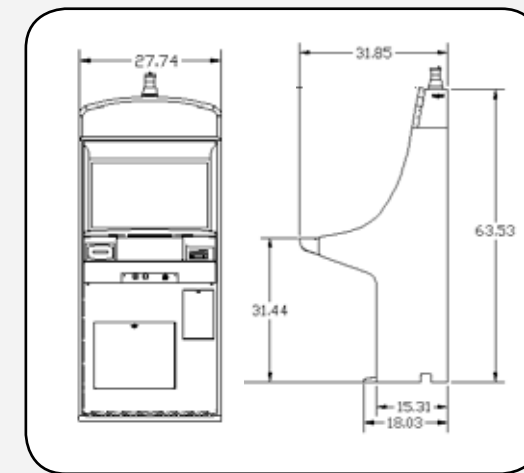
Give players the ample personal space with the Velocity slot cabinet. With a spacious button deck and large cushioned forearm rest, players will feel invited to sit down and play a while!

VELOCITii

Designed for more touch-intensive games, such as Keno and Bingo, the VELOCITii features a comfortably angled LCD which reduces reach and enhances player accessibility for multiple-touch interactions.



For multi-touch applications, the screen depth of the new VELOCITii cabinet was brought forward approximately 6 inches and ergonomically angled.



SPECIFICATIONS

Video Screen:

- 26" or 22" widescreen LCD

Lighting:

- CCFL lighting

Finishing Choices:

Cabinet:

- Powder painted or laminated to match any color

Side Trim:

- Chrome (Standard)
- Gold
- Powder paint, custom color match

Front access to cashbox and pedestal.

Cushioned, skid-resistant footrest.

Accessibility:

Velocity's patent-pending door opening mechanism provides partial access for simple maneuvers (such as ticket refill, printer and DBV service, or button panel exchange) and full access for game maintenance.

Universal Mounting:

Easily integrate your electronic components with ECP's universal mounting system.