

Affordable Customization,
Ultimate Flexibility



innovation

STYLE

player comfort

Durability

MILLENNIUM **SERIES**

slot cabinets

Millennium

Providing high quality slot machine products through innovative design, affordable customization, and flexible, one-on-one customer service.

Elite Casino Products, Inc.

730 North Baker Drive, Itasca, IL 60143
Ph. 630-545-0927 www.ecp-usa.com



MILLENNIUM

SLOT CABINET SERIES

Product Details:

The Millennium Classic slot cabinet is designed with flexibility in mind. Available with widescreen 22" LCDs, 19" LCDs, or reels, the Millennium cabinet offers diverse possibilities of game configurations. This fashionable, durable cabinet can be ordered with standard features; however, at ECP, we encourage customers to add their own flair and customization. For example, our speaker bar and side rails can be tailored to create a unique cabinet style. The company's in-house engineering design support team can assist with integrating custom electronic packages, including CPU housings.

ECP offers dozens of top box and topper options for the Millennium Cabinet Series. From Round Tops to Dual Screens, we can provide you with the exact look that you want to achieve. Our team has years of experience with custom and specialty top box design. Please ask us for more information.

Special Features:

The *Illuminated Speakerbar Orb* attracts attention to your game. Light up your logo or game denomination in this special area that can be displayed with color-changing or standard back lighting.

The Millennium Series incorporates ECP's patent-pending LCD mounting system, which allows technicians to rotate and view the screen for easy internal diagnostics.

Universal component mounting system allows you to choose your peripherals and easily integrate custom electronic packages.

Achieve ultimate flexibility with convertability from a Widescreen to a Reel cabinet. Conversion can be done quickly and easily.



The Millennium
22" Dual-Screen
Cabinet is a perfect
**Server-
Based**
gaming
solution.



Elite Casino Products offers a universal product line featuring slot machine components that are manufactured with high quality and designed with attractive style for today's active slot floors.

MILLENNIUM SERIES

Technical Specifications

19-inch LCD

Cabinet Styles:

- 19-inch LCD
- 22-inch widescreen LCD with up to 1680 x 1050
- Stepper Configurations (3, 4, or 5 reel)

Finishing Choices:

Cabinet:

- Powder painted or laminated to match any color

Door:

- Chrome(Standard)
- Brushed
- PVD Gold
- PVD Black Titanium
- Powder paint, custom color match

Belly:

- Square
- Round
- Smooth

Customizable Features:

- Button Panel
- Player Tracking Panel
- Customer-Preferred LCD
- Top Boxes
- Speakerbar

Lighting:

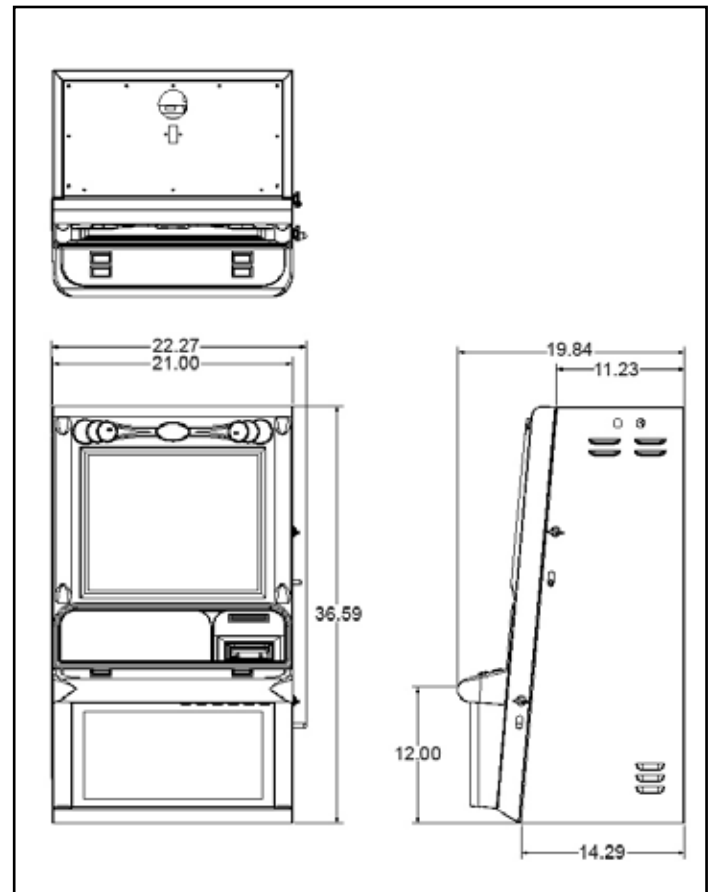
- CCFL lighting
- Optional LED

Universal Mounting:

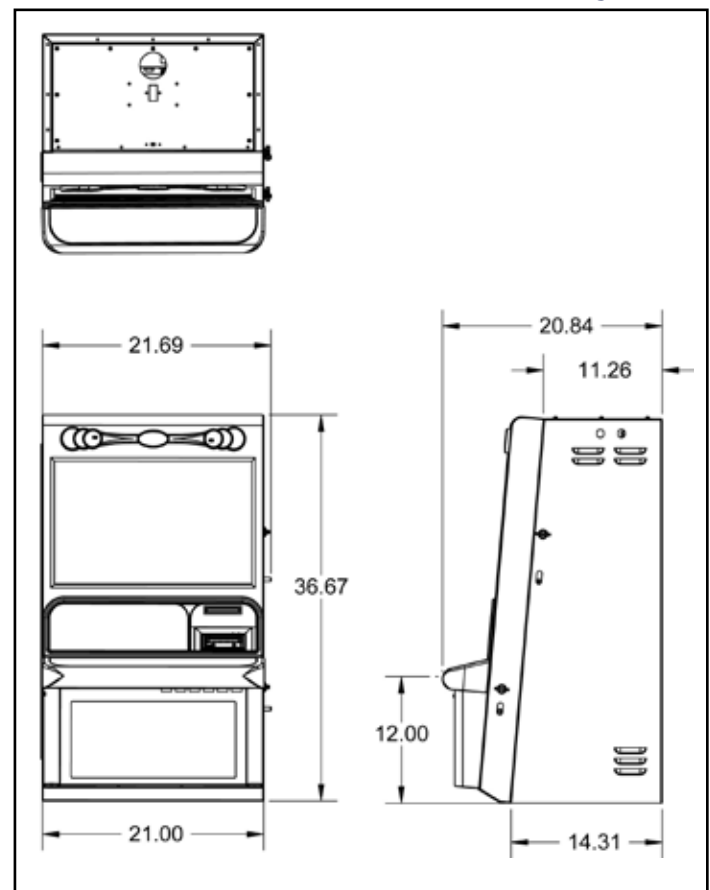
Easily integrate your electronic system with ECP's universal mounting system.

Topbox Styles:

- 22" or 19" LCD Dual Screen
- Tilted Front
- Round Top
- Slant or Flat Top
- ECP has many topbox options to choose from, including custom designs.



22-inch LCD or Reel Configuration



Elite Casino Products

730 N. Baker Drive, Itasca, Illinois 60143

Ph. (630) 545-0927

Em. sales@ecp-usa.com

www.ecp-usa.com