

Affordable Customization,
Ultimate Flexibility



innovation

STYLE

player comfort

Durability

AXIS SERIES

slot cabinets

AXIS

Providing high quality slot machine products through innovative design, affordable customization, and flexible, one-on-one customer service.

Elite Casino Products, Inc. | 730 North Baker Drive, Itasca, IL 60143
Ph. 630-545-0927 www.ecp-usa.com

AXIS

SLOT CABINET SERIES

Product Details:

Elite Casino Products' new Axis gaming cabinets are engineered with appealing aesthetics, player comfort and functional serviceability in mind. The Axis Series brings a contemporary style to the slot floor with crisp, gleaming chrome lines and bold angles that accentuate the cabinet profile. The player interface area is easily accessible and conveniently located below the LCD to avoid unnecessary reaching. Additionally, the gaming cabinets are efficient and easy to service. The Axis line incorporates ECP's revolutionary LCD mounting system which, while mounted to the inside of the cabinet, allows the screen to be rotated for diagnostic use while servicing the inside of the game.

Available styles include: standard 19-inch LCD, 22-inch LCD, and reels (3, 4, or 5 reel configurations). The Axis 22-inch dual screen cabinet is perfect for server-based gaming solutions. The dual 22-inch widescreens (16:9) are capable of producing vivid graphics for thrilling animations and exhilarating bonus rounds.

Equally rousing, the Axis Reel and 19-inch LCD cabinets are designed with flexibility in mind. As with all of ECP's products, the AXIS Series slot machine cabinets can be ordered with standard features. However, Elite Casino Products encourages customers to add their own flair and customization to cabinets to create their own uniquely branded slot machine. The Company's in-house engineering team assists with customizations and electronic package integration.

The Axis slot cabinet series has everything a slot floor needs--innovative style, performance and durability.





Special Features:

Simple, yet sophisticated. The clean, bold lines and angles of the Axis Series offer a contemporary cabinet style that attracts players.

The Axis Series incorporates ECP's patent-pending LCD mounting system, which allows technicians to rotate and view the screen for easy internal diagnostics.

Universal component mounting system allows you to choose your peripherals and easily integrate custom electronic packages.

The Axis 22-inch Dual Screen cabinet is a great Server-Based Gaming Solution. The cabinet incorporates two widescreen LCD monitors with 89° enhanced viewing angles that visually engulf players in your game.

Achieve ultimate flexibility with convertability from a Widescreen to a Reel cabinet. Conversion can be done quickly and easily.

innovative
engineering

BOLD
styling

quick & easy
component
integration



Elite Casino Products offers a universal product line featuring slot machine components that are manufactured with high quality and designed with attractive style for today's active slot floors.

AXIS SERIES

Technical Specifications

19-inch LCD

Available Cabinet Styles:

- 19-inch LCD
- 22-inch widescreen LCD with up to 1680 x 1050
- Stepper Configurations (3, 4, or 5 reel)

Finishing Choices:

Cabinet:

- Powder painted or laminated to match any color

Door:

- Chrome(Standard)
- Brushed
- PVD Gold
- PVD Black Titanium
- Powder paint, custom color match

Belly:

- Square
- Round
- Smooth

Customizable Features:

- Button Panel
- Player Tracking Panel
- Customer-Preferred LCD
- Top Boxes
- Speakerbar

Lighting:

- CCFL lighting
- Optional LED

Universal Mounting:

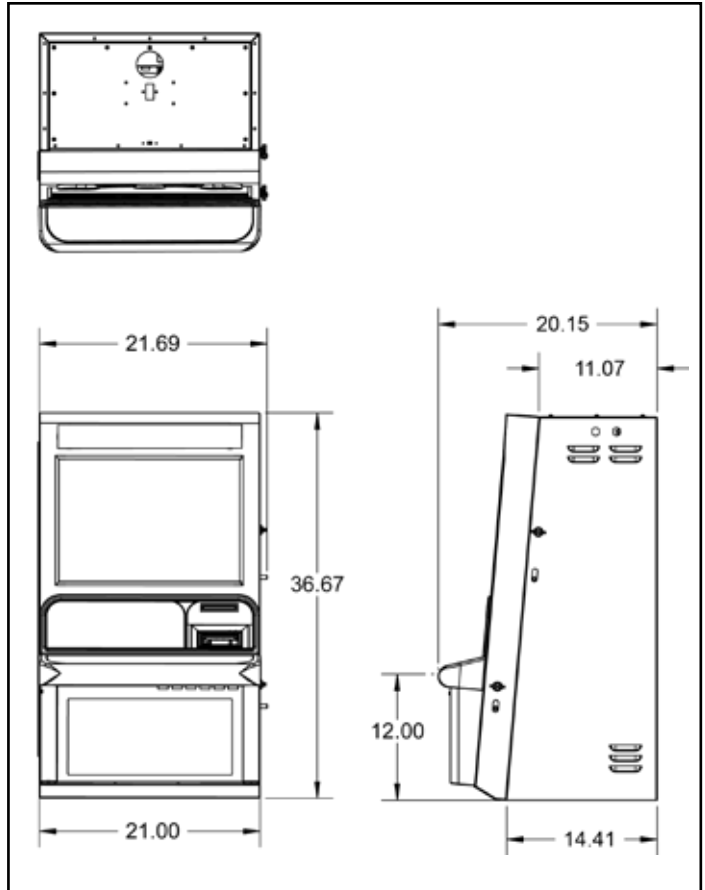
Easily integrate your electronic system with ECP's universal mounting system.

Topbox Styles:

- 22" Dual Screen, standard
- Custom options available
- Additional styles available in 2010

Elite Casino Products

730 N. Baker Drive, Itasca, Illinois 60143
Ph. (630) 545-0927
Em. sales@ecp-usa.com
www.ecp-usa.com



22-inch LCD or Reel Configuration

